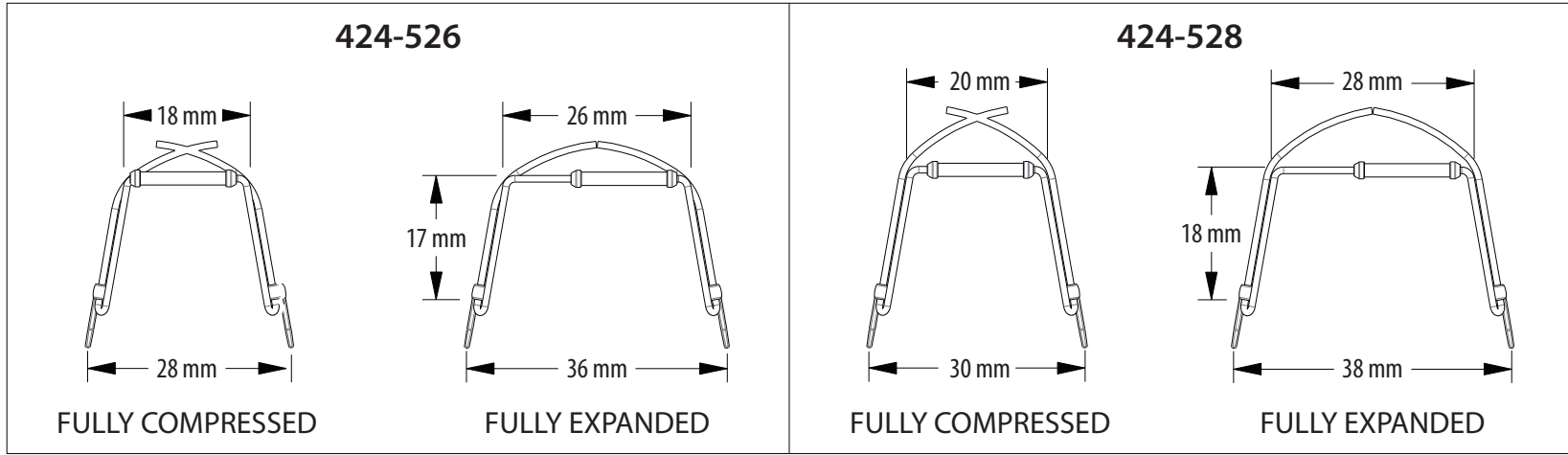


TransForce^{®2} Transverse Arch Development Planner



Selecting the correct size: A. Place this planner over patient's study model.
 B. Find the Fully Compressed size that best fits inside the lingual outline of the teeth.
 C. The Fully Expanded outline shows the amount of expansion capable by the preactivated appliance.

