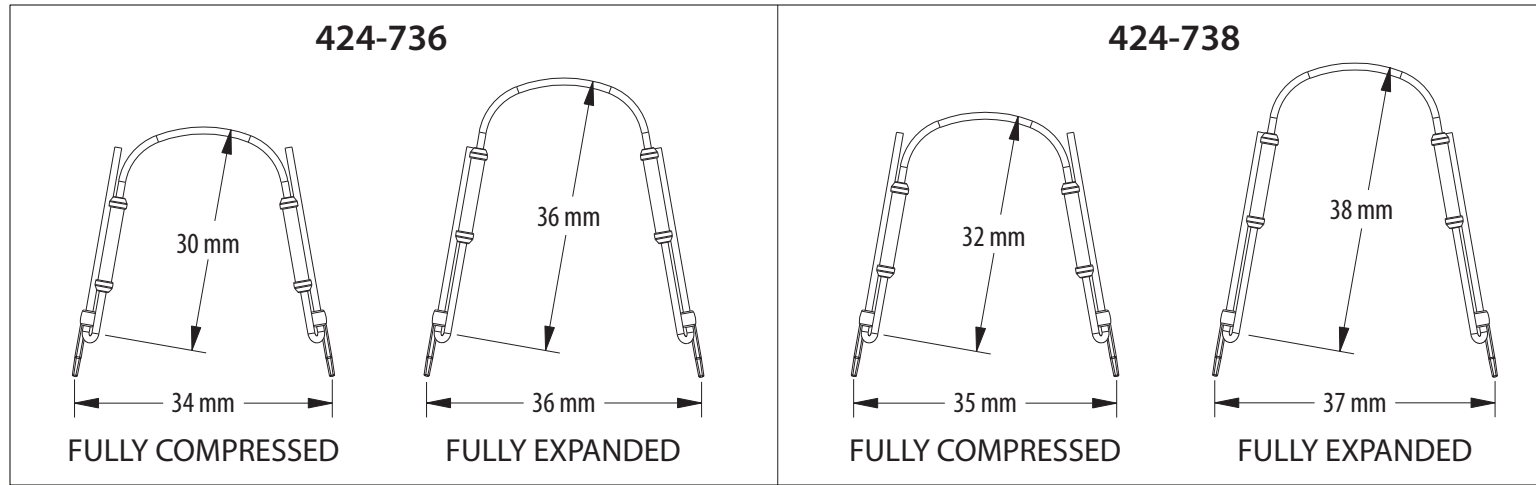


TransForce®2 Sagittal Arch Development Planner



- Selecting the correct size:**
- A. Place this planner over patient's study model.
 - B. Find the Fully Compressed size that best fits inside the lingual outline of the teeth.
 - C. The Fully Expanded outline shows the amount of expansion capable by the preactivated appliance.

