

Bravo PrimoTM

LOW-PROFILE BRACKETS



MASEL[®]

Bravo Primo Low-Profile Brackets

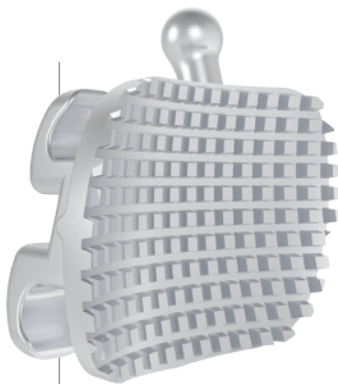
Bravo Primo Low-Profile Brackets are designed to optimize clinical efficiency to help you with your practice. These brackets are manufactured using the most advanced Metal Injection Molding (MIM) technology and provide an aesthetically-pleasing, high-polish finish.

Patient Comfort

- **Low-profile** design
- **Smooth**, rounded surfaces
- **Soft tissue irritation is minimized** with the rounded ball hook

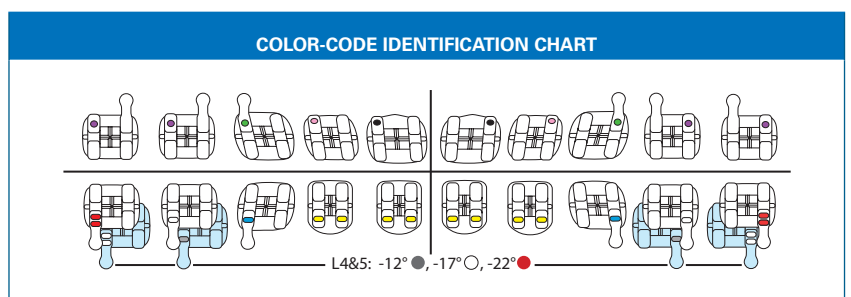
Optimized Practice Efficiency

- **State-of-the-art pylon base design** maximizes surface area, which directly correlates to bond retention
- **Bracket's compound contoured base** "fits like a glove" at tooth interface
- **Rounded archwire-slot edges** reduce friction, minimizing archwire notching
- **Easy bracket identification** using the color-coded ID mark



Bracket's compound contoured base "fits like a glove" at tooth interface

Bravo Primo Bracket Identification



Benefits and features designed with your practice and patients in mind.

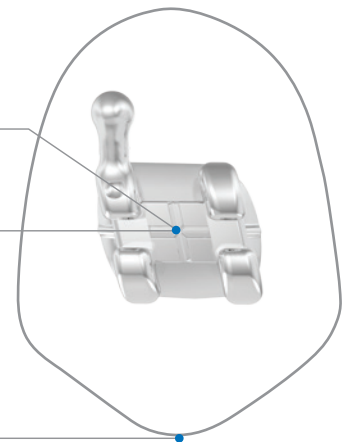
Multiple Visual Cues for Optimized Bracket Placement

- **Patented horizontal line** across the bracket and pad, mesial distal, combined with vertical line, creates a “crosshair” for precise bracket placement
- **Anti-rotation** is built into the slot, mesial distal, thus sides of the bracket are presented perpendicular to the tooth, eliminating the parallax that is created as a result of putting the anti-rotation in the base of the brackets



Crosshairs for more accurate placement

Bracket height from incisal edge



Bravo Primo Brackets Availability

- .018 slot size, Roth prescription only, and .022 slot size in both Roth and McLaughlin, Bennett, and Trevisi prescriptions
- Hook and non-hook options on cuspids and bicuspid
- All bicuspid offered with or without off-set pads
- Off-set base for upper and lower cuspids
- 17-4 stainless steel construction
- 5x5 case or in packs of 10 brackets

Bravo Primo Brackets and Patient Supplies

The following marketing tools are available to help with patient consultation appointments.

PRODUCT	ITEM NUMBER
<i>Bravo Primo</i> 15X Demo Model	2031-4499X
<i>Bravo Primo</i> Typodont (7x7)	2031-4499



Premium Packaging

Contact your local distributor today
for *Bravo Primo* Low-Profile Brackets

For more information, please contact us:

MaselOrtho.com

In the U.S.: 888.851.0533

Outside the U.S.: +(1) 760 448 8600

Canada: CERUM 800 661 9567

To email an order: Sales@Masel.net



Ortho Organizers, Inc.
1822 Aston Avenue
Carlsbad, CA 92008-7306
U.S.A.